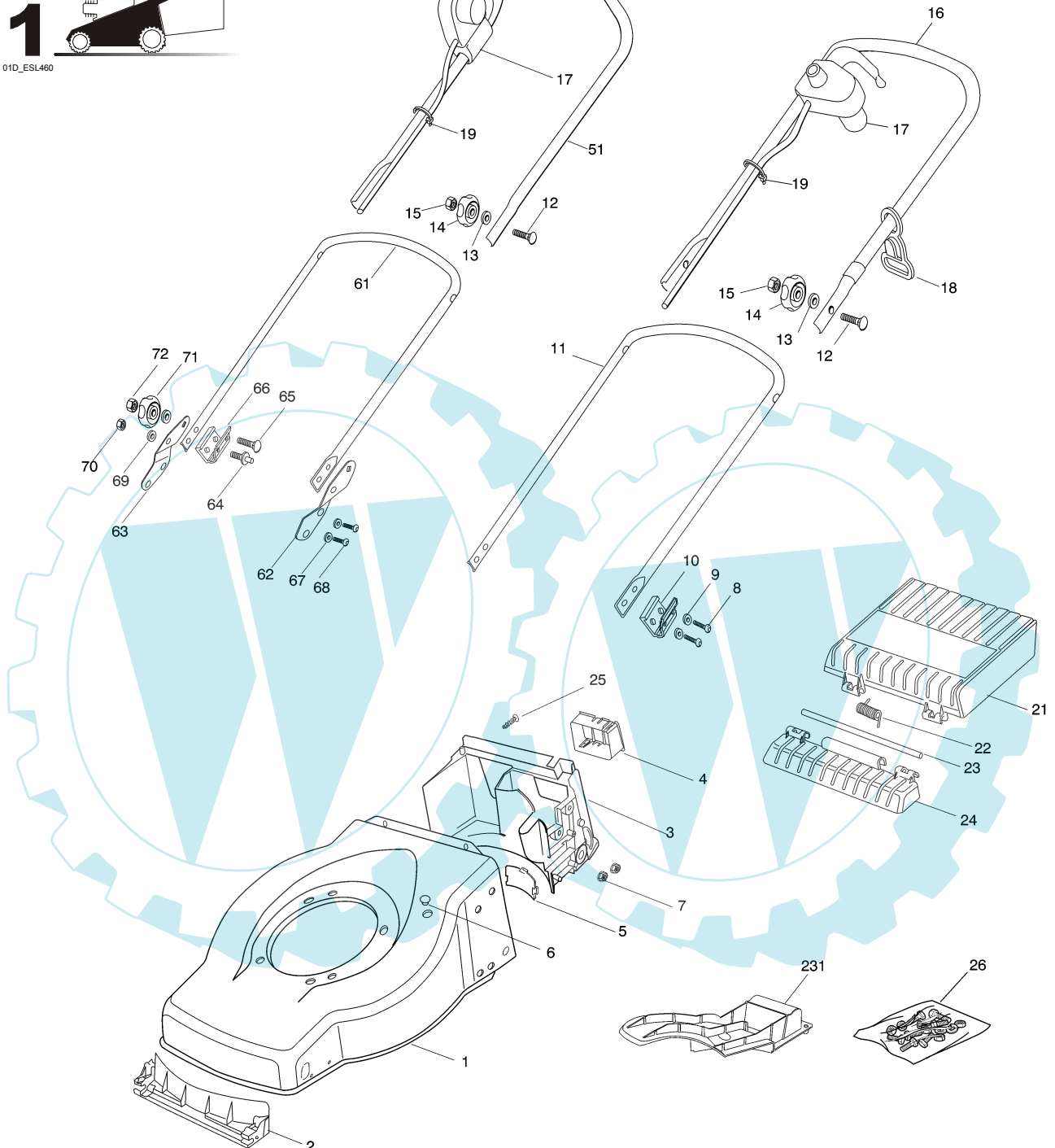
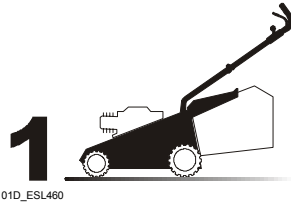


121


  
GLOBAL GARDEN PRODUCTS


Pos.	Code	Q.ty	Descrizione	Description	Description	Beshreibung	Remarks
1	81002538/0	1	CHASSIS ROSSO	DECK RED	CHÂSSIS ROUGE	GEHÄUSE ROT	
2	22108271/0	1	CONVOGL. ANTERIORE	FRONT CONVEYOR ASSY	ENS. CONVOYEUR AVANT	HINTERLEITBLECHVORDER	
3	22108272/1	1	CONVOGL. POSTERIORE	REAR CONVEYOR ASSY	ENS. CONVOYEUR POST.	HINTERLEITBLECHSATZ	
4	22109531/0	1	COPERCHIO	COVER	COUVERCLE	DECKEL	
5	22109532/0	1	COPERCHIO TRASMISSIONE	COVER	COUVERCLE	DECKEL	
6	18737854/1	1	TAPPO	CAP	BOUCHON	GUMMISTOPFEN	
7	22131750/0	4	DADO	NUT	ECROU	MUTTER	
8	12760610/0	4	VITE	SCREW	VIS	SCHRAUBE	

## GLOBAL GARDEN PRODUCTS

Pos.	Code	Q.ty	Descrizione	Description	Description	Beshreibung	Remarks
9	22671651/0	4	ROSETTA	WASHER	RONDELLE	SCHEIBE	
10	22551576/0	2	PIASTRINA ISOLAMENTO	PLATE	PLAQUETTE	PLATTE	
11	81006569/0	1	MANICO, PARTE INF	HANDLE, LOWER PART	MANCHERON, PARTIE INFERIEURE	HOLM, UNTERTEIL	
12	12819201/0	2	VITE	SCREW	VIS	SCHRAUBE	
13	22680006/1	2	ROSETTA	WASHER	RONDELLE	SCHEIBE	
14	22399804/0	2	MANOPOLINA	KNOB	POIGNÉE	GRIFF	
15	12293200/0	2	DADO	NUT	ECROU	MUTTER	
16	81006573/0	1	MANICO, PARTE SUP	HANDLE, UPPER PART	MANCHERON, PARTIE SUPERIEURE	HOLM, OBERTEIL	
17	-	1	SALVAMOTORE	DEAD HAND SWITCH	INT. MAIN MORTE	TOT MANSCHALTER	(SEE ENCLOSURE 2)
18	22195101/3	1	FERMACAVO	FAIRLEAD	FIXATION CABLE	KABELBEFESTIGUNG	
19	33320022/0	1	FASCETTA	CLAMP	COLLIER	BOWDENZUGHALTER	
21	22600099/0	1	PROTEZIONE	PROTECTION	PROTECTION	SCHUTZ	
22	22450431/0	1	MOLLA	SPRING	RESSORT	FEDER	
23	22517858/0	1	PERNO	PIN	PIVOT	BOLZEN	
24	22785136/0	1	SUPPORTO	SUPPORT	SUPPORT	HALTER	
25	12728686/0	2	VITE	SCREW	VIS	SCHRAUBE	
26	81008649/0	1	DOTAZIONE VITERIA	OUTFIT, SCREWS	DOTATION VISSERIE	SATZ, SCHRAUBEN	

## VARIANTE MANICO SUPERIORE - UPPER HANDLE MODIFICATION - MODIFICATION MANCHERON SUPERIEURE - UBERHOLM ÄNDERUNGEN

Pos.	Code	Q.ty	Descrizione	Description	Description	Beshreibung	Remarks
51	81007017/2	1	MANICO, PARTE SUP	HANDLE, UPPER PART	MANCHERON, PARTIE SUPERIEURE	HOLM, OBERTEIL	

## VARIANTE MANICO INFERIORE - LOWER HANDLE MODIFICATION - MODIFICATION MANCHERON INFERIEURE - UNTERHOLM ÄNDERUNGEN

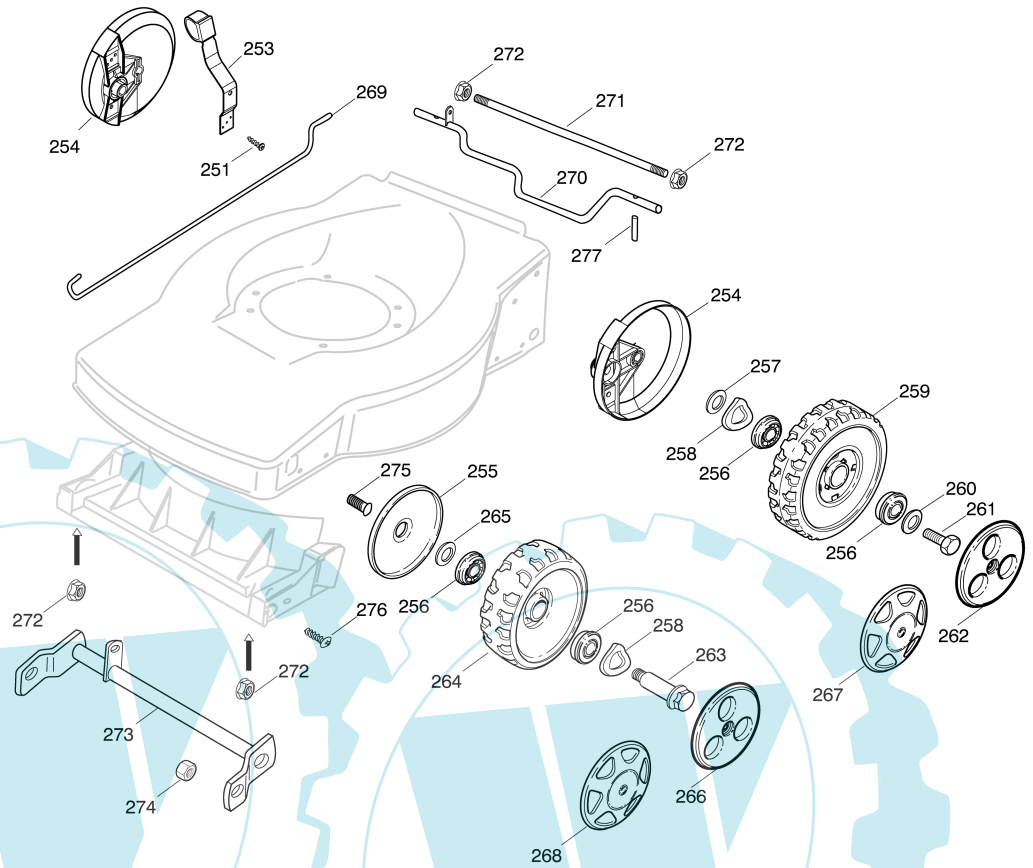
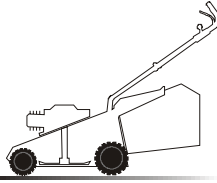
Pos.	Code	Q.ty	Descrizione	Description	Description	Beshreibung	Remarks
61	81006575/0	1	MANICO, PARTE INF	HANDLE, LOWER PART	MANCHERON, PARTIE INFERIEURE	HOLM, UNTERTEIL	
62	22778403/0	1	STAFFA SX	BRACKET, L	BRIDE G	PRATZE, LINKE	
63	22778401/0	1	STAFFA DX	BRACKET, R	BRIDE D	PRATZE, RECHTE	
64	22524331/0	2	PERNO	PIN	PIVOT	BOLZEN	
65	12818900/0	2	VITE	SCREW	VIS	SCHRAUBE	
66	22551576/0	2	PIASTRINA ISOLAMENTO	PLATE	PLAQUETTE	PLATTE	
67	12521350/0	4	ROSETTA	WASHER	RONDELLE	SCHEIBE	
68	12760605/0	4	VITE	SCREW	VIS	SCHRAUBE	
69	22671651/0	4	ROSETTA	WASHER	RONDELLE	SCHEIBE	
70	12155000/0	2	DADO	NUT	ECROU	MUTTER	
71	22399804/0	2	MANOPOLINA	KNOB	POIGNÉE	GRIFF	
72	12293200/0	2	DADO	NUT	ECROU	MUTTER	

## VARIANTE MULCHING - MULCHING MODIFICATION - MODIFICATION MULCHING - ÄNDERUNGEN MULCHING

Pos.	Code	Q.ty	Descrizione	Description	Description	Beshreibung	Remarks
231	22140226/0	1	DEFLETTORE	DEFLECTOR	DEFLECTEUR	DEFLEKTOR	

**2**

02D\_053



Pos.	Code	Q.ty	Descrizione	Description	Description	Beshreibung	Remarks
251	12728689/0	2	VITE	SCREW	VIS	SCHRAUBE	
253	81003303/0	1	LEVA REGOLAZIONE ALTEZZA	LEVER, HEIGHT ADJUSTMENT	LEVIER REGLAGE HAUTEUR	HEBEL, HÖNEVERSTELLUNG	
254	22600106/1	2	PROT. RUOTE	PROTECTION, WHEEL	PROTECTION ROUE	SCHÜTZ, RÄDER	
255	22600095/0	2	PROTEZIONE	PROTECTION	PROTECTION	SCHUTZ	
256	22122202/0	8	CUSCINETTO	BEARING	COUSSINET	LAGER	
257	22671652/0	2	ROSETTA	WASHER	RONDELLE	SCHEIBE	
258	22675100/0	4	ROSETTA	WASHER	RONDELLE	SCHEIBE	
259	81007347/0	2	RUOTA Ø 190	WHEEL Ø 190	ROUE Ø190	RAD Ø 190	
260	12523050/0	2	ROSETTA	WASHER	RONDELLE	SCHEIBE	
261	12735599/0	2	VITE	SCREW	VIS	SCHRAUBE	
262	22110341/0	2	COPRIMOZZO BIANCO	HUB CAP WHITE	COUVRE-MOYEU BLANC	RADKAPPE WEIßE	
263	22524322/0	2	PERNO	PIN	PIVOT	BÖLZEN	
264	81007346/0	2	RUOTA Ø 165	WHEEL Ø 165	ROUE Ø 165	RAD Ø 165	
265	22671653/0	2	ROSETTA	WASHER	RONDELLE	SCHEIBE	
266	22110322/0	2	COPRIMOZZO BIANCO	HUB CAP WHITE	COUVRE-MOYEU BLANC	RADKAPPE WEIßE	ø 175
267	22110346/0	2	COPRIMOZZO GRIGIO	HUB CAP GREY	COUVRE-MOYEU GRIS	RADKAPPE GRAU	
268	22110312/0	2	COPRIMOZZO GRIGIO	HUB CAP GREY	COUVRE-MOYEU GRIS	RADKAPPE GRAU	
269	22033317/0	1	ASTA REGOLAZIONE	ADJUSTMENT ROD	TIGE REGLAGE	VERSTELLUNGSTANGE	
270	81000155/0	1	ASSE RUOTE POSTERIORE	AXLE, REAR WHEELS	AXE ROUES ARRIERE	ACHSE, HINTERRAD	
271	22033369/0	1	ASSE RUOTE POSTERIORE	AXLE, REAR WHEELS	AXE ROUES ARRIERE	ACHSE, HINTERRAD	
272	22131750/0	4	DADO	NUT	ECROU	MUTTER	
273	81000153/0	1	ASSE RUOTE ANTERIORE	AXLE, FRONT WHEELS	AXE ROUES AVANT	ACHSE, VORDERRAD	
274	12155000/0	2	DADO	NUT	ECROU	MUTTER	
275	12760600/0	2	VITE	SCREW	VIS	SCHRAUBE	
276	12728686/0	2	VITE	SCREW	VIS	SCHRAUBE	
277	22753001/0	2	SPINA	PIN	GOUPILLE	STIFT	

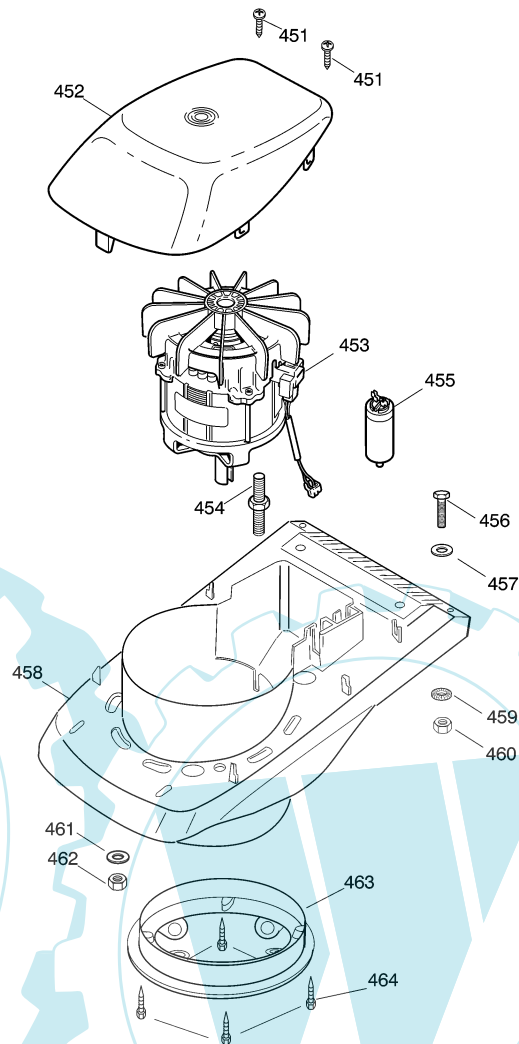
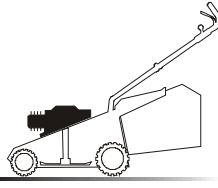
121



GLOBAL GARDEN PRODUCTS

4

04D\_004



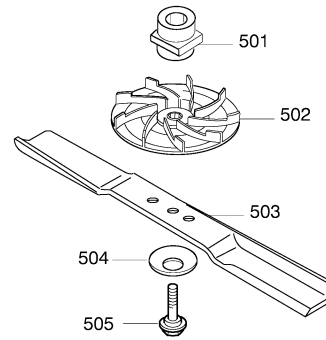
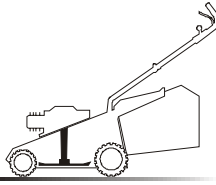
Pos.	Code	Q.ty	Descrizione	Description	Description	Beshreibung	Remarks
451	12728687/0	2	VITE	SCREW	VIS	SCHRAUBE	
452	22055071/0	1	CAPOTTINA	COVER	CAPOT	HAUBE	
453	18563617/0	1	MOTORE ATB	MOTOR ATB	MOTEUR ATB	MOTOR ATB	1300W 230V 50 HZ
-	18563618/0	1	MOTORE ATB	MOTOR ATB	MOTEUR ATB	MOTOR ATB	1500W 230V 50 HZ
454	22524323/0	4	PERNO	PIN	PIVOT	BOLZEN	
455	18222047/0	1	CONDENSATORE 16 µF	CONDENSER 16 µF	CONDENSEUR 16 µF	KONDENSATOR 16 µF	(ATB 1300 W)
-	18222048/0	1	CONDENSATORE 20 µF	CONDENSER 20 µF	CONDENSEUR 20 µF	KONDENSATOR 20 µF	(ATB 1500 W)
456	12793102/0	3	VITE	SCREW	VIS	SCHRAUBE	
457	12521350/0	3	ROSETTA	WASHER	RONDELLE	SCHEIBE	
458	22207327/0	1	FLANGIA	FLANGE	BRIDE	FLANSCH	
459	12540060/0	3	ROSETTA	WASHER	RONDELLE	SCHEIBE	
460	12293200/0	3	DADO	NUT	ECROU	MUTTER	
461	22671651/0	4	ROSETTA	WASHER	RONDELLE	SCHEIBE	
462	12155000/0	4	DADO	NUT	ECROU	MUTTER	
463	22600097/0	1	PROTEZIONE	PROTECTION	PROTECTION	SCHUTZ	
464	12728700/0	4	VITE	SCREW	VIS	SCHRAUBE	

121

## GLOBAL GARDEN PRODUCTS

5

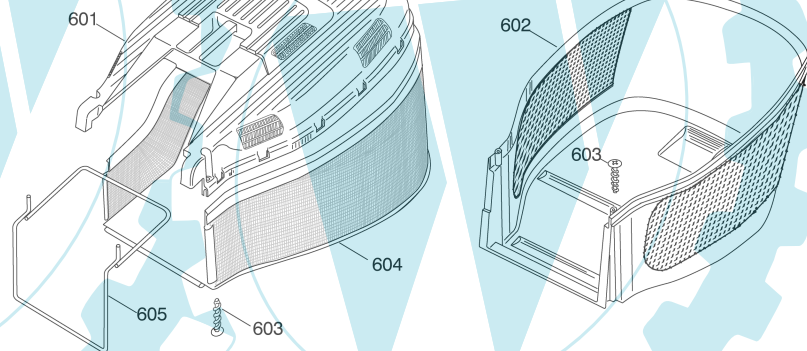
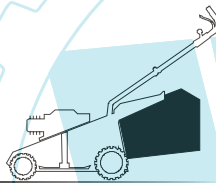
05D\_034



Pos.	Code	Q.ty	Descrizione	Description	Description	Beshreibung	Remarks
501	22465614/0	1	MOZZO	HUB	MOYEU	HALTER	
502	22207326/0	1	FLANGIA	FLANGE	BRIDE	FLANSCH	
503	81004120/0	1	COLTELLO	BLADE	LAME	MESSER	
504	12508115/0	1	DISCO ELASTICO	ELASTIC WASHER	DISQUE ELASTIQUE	FEDERSCHEIBE	
505	81004340/0	1	VITE	SCREW	VIS	SCHRAUBE	

6

06D\_015



Pos.	Code	Q.ty	Descrizione	Description	Description	Beshreibung	Remarks
601	22486122/0	1	PARTE SUP.SACCO	GRASSBOX UPPER PART	SAC, PARTIE SUPERIEURE	KORB OBERTeil	
602	22486128/0	1	PARTE INFER. SACCO	GRASSBOX LOWER PART	SAC, PARTIE INFERIEURE	KORB UNTERTEIL	
603	12728686/0	2	VITE	SCREW	VIS	SCHRAUBE	
604	81002229/0	1	SACCO, TELA	BOX, FABRIC	SAC, TOILE	SACK, TUCK	
605	81006419/0	1	TELAIO SACCO	CHASSIS BOX	CHÂSSIS BAC	RAHMEN SACK	